

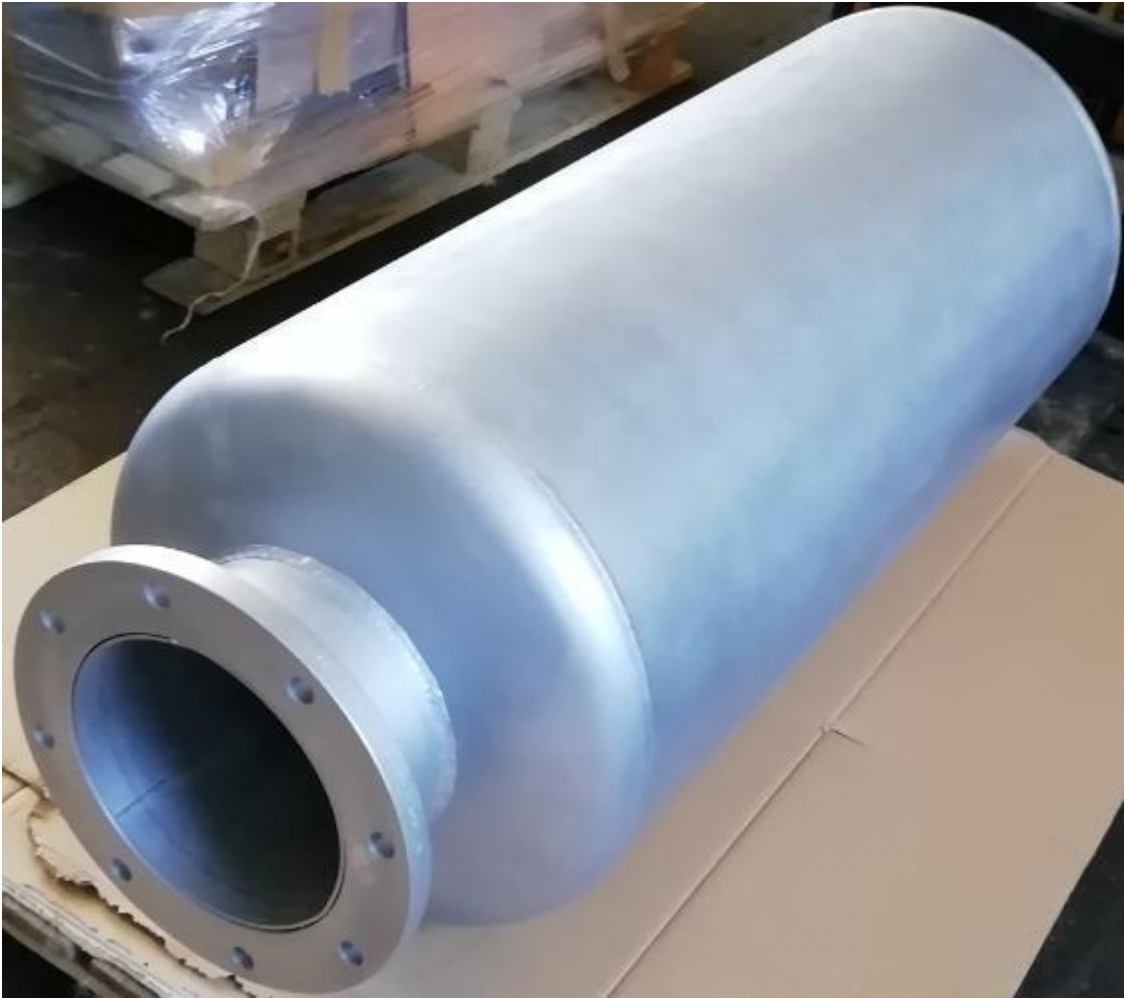


*CoRiMa*

*Costruzione Ricambi*

*Macchine Industriali s.r.l.*

## Industrial Silencers



Costruzione Ricambi Macchine Industriali s.r.l. designs and manufactures industrial absorption silencers for the exhaust systems of diesel engines, marine engines, earth-moving machinery and for other applications both in industrial and residential contexts. These types of silencers allow acoustic reduction of the noise caused by the engine exhaust with the aid of soundproofing material and with channelling of the exhaust gas into the duct. Our experience in the construction of these items allows us to offer highly customised production:

- Silencers in the catalogue: the WN, WL and RD series
- Silencers based on the customer's drawings or sample
- Design of silencers based on customer requests through the analysis of the silencer's work environment and engine characteristics - evaluation of product feasibility and of the best solution to be adopted
- Selection of the most suitable type of material for plating, ends, terminals and soundproofing material
- We produce standard silencers, including a number of models for Deutz, Iveco, Volvo and other brands.

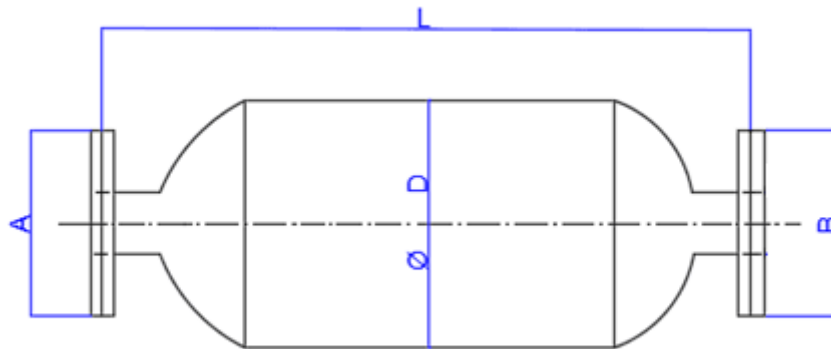


RD silencer made of 304 Stainless steel

## WN Silencers

The WN type silencers are industrial soundproofing silencers with a robust structure that attenuate the noise of the engine exhaust thanks to the absorption principle. They have the following characteristics:

- Resistant to temperatures of 650°C
- Compatible with any type of engine
- Noise reduction up to 25 dBA
- Available with axial or radial outlet/inlet and standard/custom-made terminals
  - available on request with counter flanges or hose clamp bands/U-bolts
- Also available on request, in carbon steel or stainless steel



CODE	L	D	A	B	m <sup>3</sup> /h
WN 50	460	195	DN 50	DN 50	310
WN 65	560	220	DN 65	DN 65	520
WN 80	670	245	DN 80	DN 80	770
WN 100	755	300	DN 100	DN 100	1050
WN 125	875	350	DN 125	DN 125	1850
WN 150	1085	400	DN 150	DN 150	2700
WN 175	1200	430	DN 175	DN 175	3750
WN 200	1300	450	DN 200	DN 200	5200
WN 250	1500	500	DN 250	DN 250	7300
WN 300	1700	550	DN 300	DN 300	11000
WN 350	2500	700	DN 350	DN 350	14000
WN 500	2900	950	DN 500	DN 500	27000

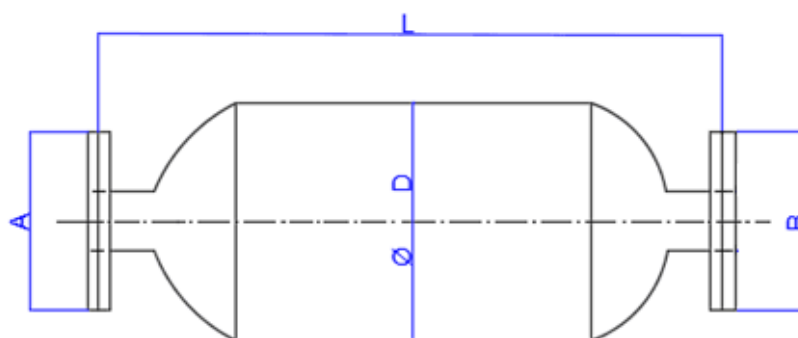
## **WNS Silencers**

The WNS type silencers are industrial silencers with dimensions and performances equal to the WN with the difference that they have a higher noise reduction (30 DbA). For dimensions and volume of gases that they can hold, please see the data for the WN silencers.

## WL Silencers

The WL type silencers are industrial soundproofing silencers with a robust structure that attenuate the noise of the engine exhaust thanks to the absorption principle. Similar to the WN type, they have larger dimensions. They have the following characteristics:

- Resistant to temperatures of 650°C
- Compatible with any type of engine
- Noise reduction up to 25 dBA
- Available with axial or radial outlet/inlet and standard/custom-made terminals
  - available on request with counter flanges or clamps/hose clamps
- Also available on request, in carbon steel or stainless steel



CODE	L	D	A	B	m <sup>3</sup> /h
WL 50	660	195	DN 50	DN 50	310
WL 65	760	220	DN 65	DN 65	520
WL 80	870	245	DN 80	DN 80	770
WL 100	955	300	DN 100	DN 100	1050
WL 125	1075	350	DN 125	DN 125	1850
WL 150	1285	400	DN250	DN250	2700
WL 175	1400	430	DN250	DN250	3750
WL 200	1500	450	DN250	DN250	5200
WL 250	1700	500	DN250	DN250	7300
WL 350	2500	700	490	356	14000
WL 500	2900	950	645	508	27000

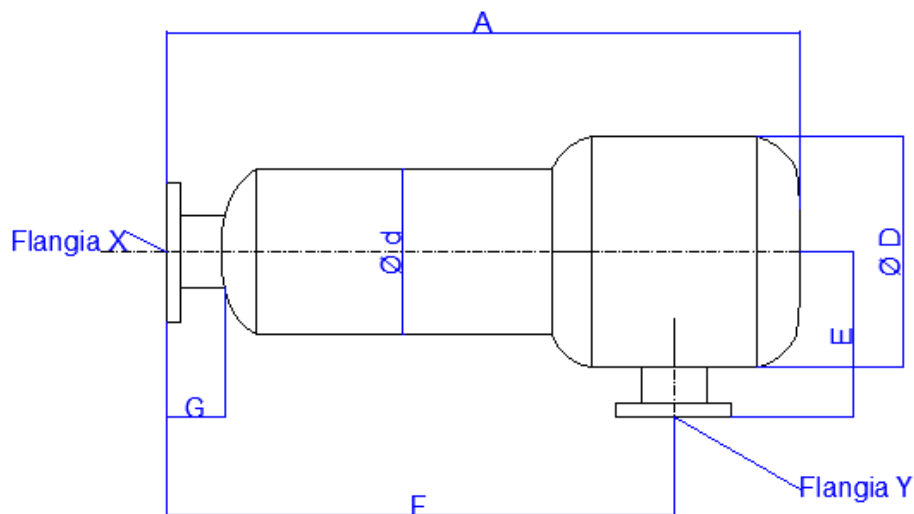
## **WLS Silencers**

The WLS type silencers are industrial silencers with dimensions and performances equal to the WN with the difference that they have a higher noise reduction (30 DbA). For dimensions and volume of gases that they can hold, please see the data for the WL silencers.

## RD Silencers

The RD type silencers are soundproof residential silencers with a robust structure that attenuate the noise of the engine exhaust thanks to the absorption principle. They have the following characteristics:

- Resistant to temperatures of 650°C
- Compatible with any type of engine
- Noise reduction up to 35 dBA
- Available with axial or radial outlet/inlet and standard/custom-made terminals
  - available on request with counter flanges or clamps/hose clamps
- Also available on request, in carbon steel or stainless steel



CODE	A	D	d	E	F	G	DN x	DN y	m <sup>3</sup> /h
RD 50	850	250	195	220	700	50	65	50	310
RD 65	970	275	220	235	810	50	80	65	520
RD 80	1100	300	245	250	925	50	100	80	770
RD 100	1200	350	300	275	1000	50	125	100	1050
RD 125	1380	400	350	300	1135	80	150	125	1850
RD 150	1700	500	400	350	1200	80	200	150	2700
RD 200	2150	600	450	400	1800	80	200	200	5200
RD 250	2450	750	550	470	2000	80	250	250	7300
RD 300	3000	800	600	500	2440	80	300	300	11000



## RDS Silencers

The RDS type silencers are residential silencers with dimensions and performances equal to the RD with the difference that they have a higher noise reduction (40 DbA). For dimensions and volume of gases that they can hold, please see the data for the RD silencers.



RDS silencer

# Contacts



## Costruzione Ricambi Macchine Industriali S.r.l.

Via Cortina D'Ampezzo, 14 - 20139 – Milan

**Telephone:** (+ 39) 02.569.18.88 - **E-mail:** [info@corimamilano.it](mailto:info@corimamilano.it)

**Website:** [www.corimamilano.it](http://www.corimamilano.it)